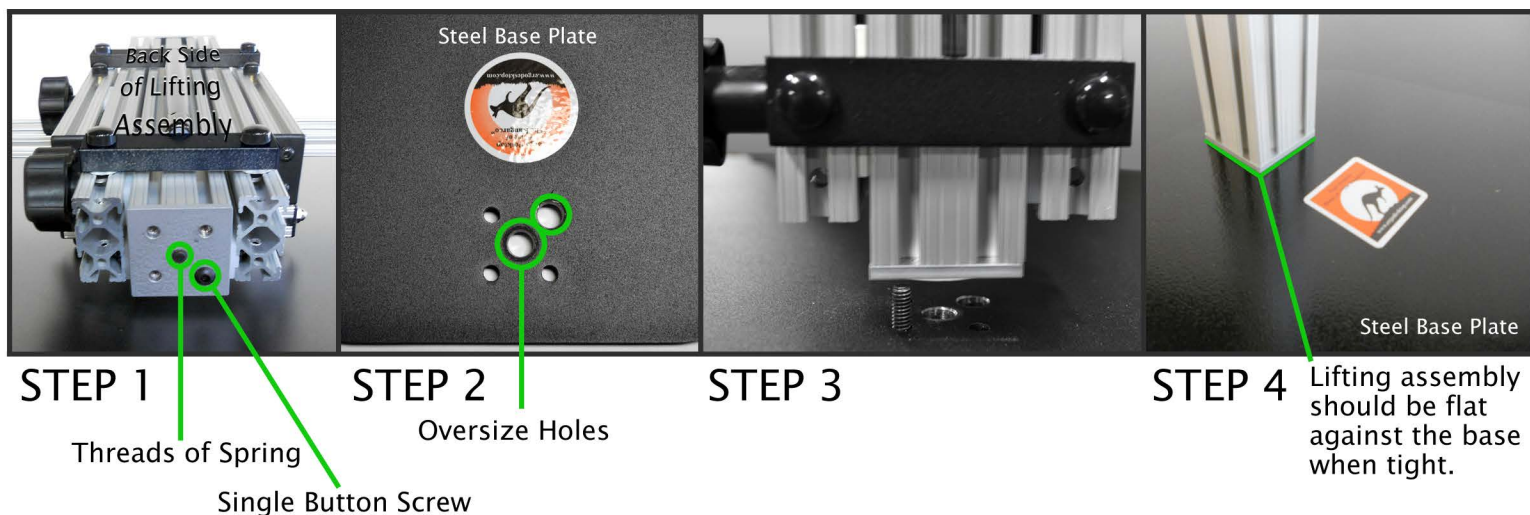


# THE KANGAROO ELITE – ASSEMBLY INSTRUCTIONS

## ASSEMBLY PARTS LIST

- A. (2) Black Screw Covers
- B. (2) 1/4–20 x 3.50 Hex Head Bolts
- C. (1) 5/32 Allen Wrench
- D. (2) Fender Washers
- E. (2) Acorn Nuts
- F. (3) 1/4–20 x 7/8 BHCS
- G. (2) Thick Black Washers
- H. (1) 7/16 Wrench
- I. (2) Locking Star Washers



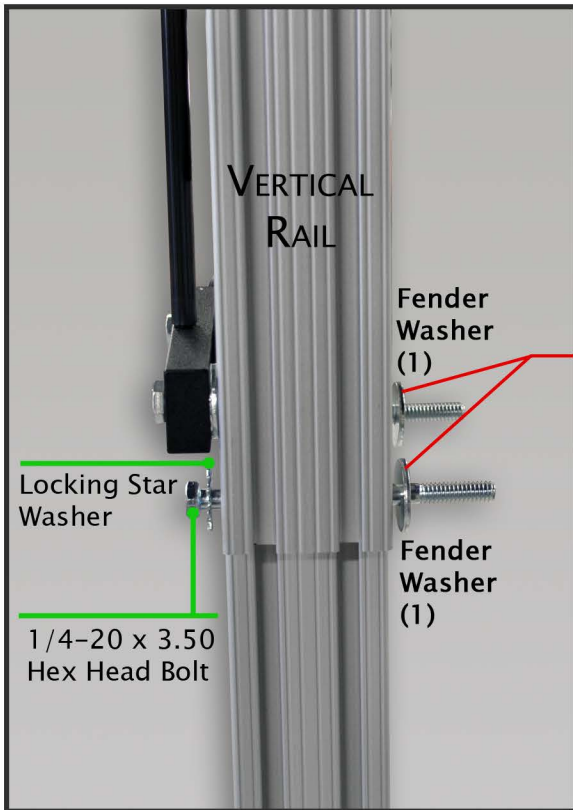
Step 1: Lay the lifting assembly on a solid surface with the back side up as shown. Notice the single Button Head Bolt and the Threads of the Spring in the assembly union. **DO NOT LOOSEN THE SINGLE BUTTON HEAD BOLT.**

Step 2: Now notice the (2) oversized holes in the Base Plate. The Single Button Head Bolt and the Threads of the Spring will go into these oversized holes.

Step 3: With the Base Plate over hanging the table about 2 inches, hold the Lifting Assembly above the Base Plate and align the Single Button Bolt and the Spring Threads into the oversized holes. Place one 1/4–20 x 7/8 BHCS through the base plate to screw in the lifting assembly.

Step 4: Insert and thread the other (2) 1/4–20 x 7/8 BHCS through the Base Plate and into the Lifting Assembly. Once all (3) bolts are threaded in, tighten securely with the 5/32 allen wrench. Lifting Assembly should be flat against the Base.

# THE KANGAROO ELITE – ASSEMBLY INSTRUCTIONS



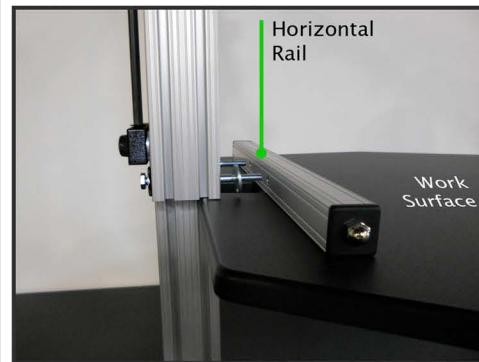
## STEP 5,6,7

Step 5: Put (1) Locking Star Washer on each of the 1/4 -20 x 3.50 Hex Head Bolts.

Step 6: Insert the (2) 1/4-20 x 3.50 Hex Head Bolts through the holes in the Vertical Rail

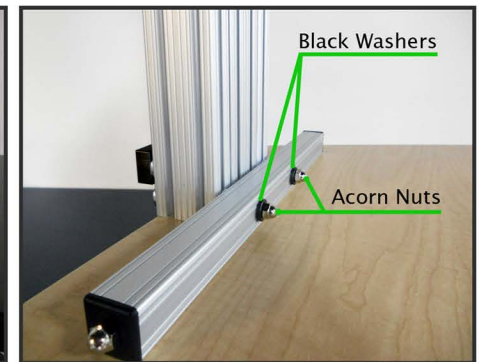
**Step 7: Put (1) Fender Washer on the each of the 1/4-20 x 3.50 Hex Head Bolts on the other side of the Vertical Rail.**

## STEP 8



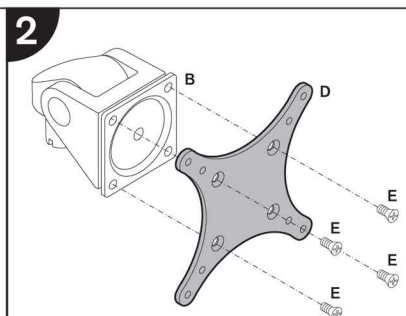
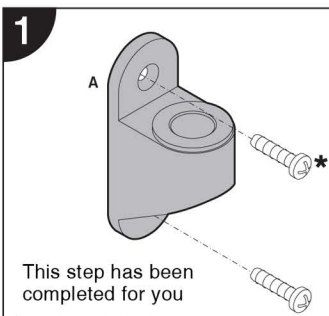
Step 8: Lift the Work Surface up and align the holes in the Horizontal Rail with the (2) 1/4-20 x 3.50 Hex Head Bolts. Push the Work Surface onto the Hex Head Bolts until the threads of the bolts come through the Horizontal Rail.

## STEP 9



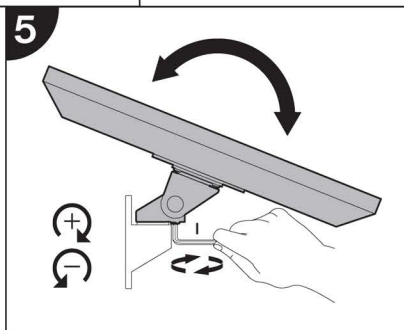
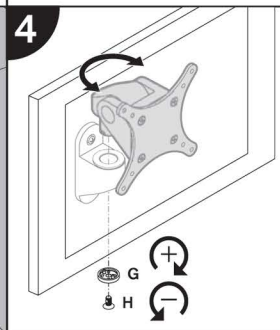
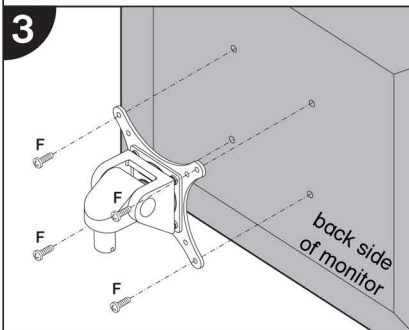
Step 9: Put (1) Black Washer and (1) Acorn Nut on the end of each of the Hex Head Bolts. Using the 7/16 wrench, tighten the Acorn Nuts securely.

## STEP 10 MOUNTING YOUR MONITOR



## STEP 5

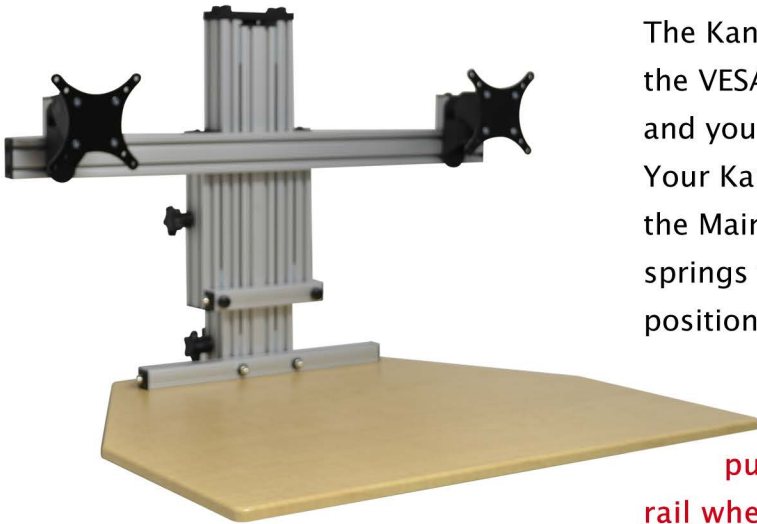
The monitor will need to be faced towards the ceiling to reach the bottom adjustment bolt in the tilter mechanism. Use the 7/32 allen wrench provided with the kit to tighten the bolt.



## MODEL 9110 Parts List

ITEM	DESCRIPTION / PART NO.	9110
A	Wall Mount RP406795	1
B	Monitor Tilter 405397	1
D	75mm/100mm VESA® Adapter Plate 105587	1
E	10-32 x 3/8" Phillips Flat Head Screw 702281	1 (set of 4)
F	M4-12 Phillips Pan Head Screw 702096	1 (set of 4)
G	Dog Washer 105189	1
H	10-32 x 3/8" FPhMS w/Lock Patch 705198	1
I	7/32" Allen Wrench 701127	1

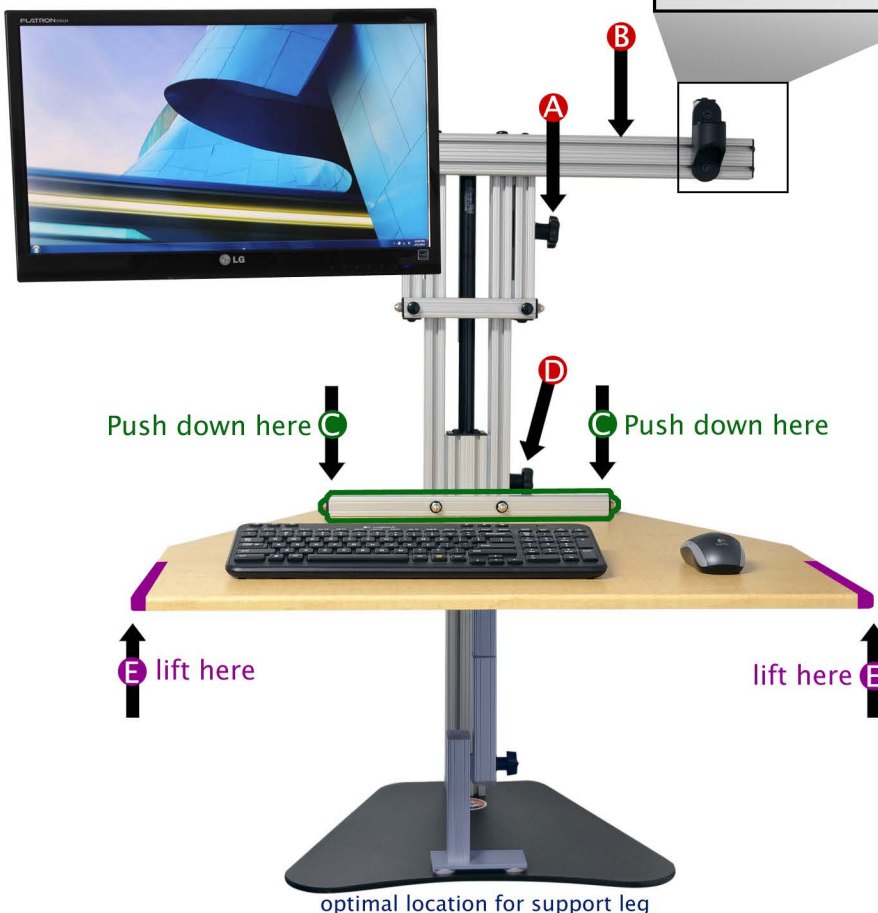
# THE KANGAROO ELITE



The Kangaroo Elite is designed to hold (2) LCD Monitors on the VESA 75 x 75 or 100 x 100mm compatible brackets and your keyboard and mouse on the main work Surface. Your Kangaroo Elite is shipped in the down position with the Main Brake tightened. The Kangaroo Elite has (2) springs that assist in raising your unit to the standing position and works best when your monitors and keyboard are in place. This reduces the amount of pressure needed to lower the unit. **Always push down with both hands on the horizontal rear rail when lowering the main work surface.**



To move the mount horizontally closer or farther apart, simply loosen the **bolt** attached to the **horizontal monitor rail (B)** by a single turn with an 5/32 allen wrench. Once you have reached the desired position tighten the bolt.



## HOW TO USE THE ELITE

To raise the Elite, loosen the main brake(D) and lift the main work surface on the sides(E & E). Once you have the work surface at the required height tighten the main brake.

To lower the Elite, loosen the main brake(D) and lean into the unit using your upper body weight pushing down with both hands on the horizontal bar at the rear of the main horizontal work surface (C & C).

Raise and lower the monitor rail by loosening the monitor brake(A) and either lift up or push down on the monitor rail(B). Once the monitors reach you desired level, tighten the monitor brake.

A. Monitor Brake

B. Horizontal Monitor Rail

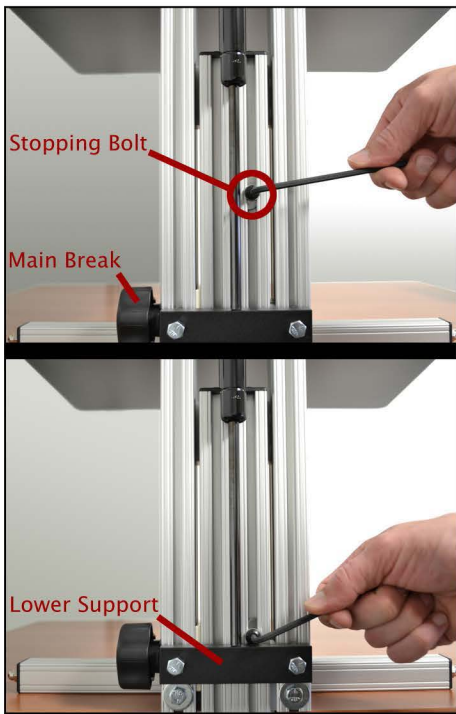
C. Work Surface Rail

D. Main Brake

E. Main Work Surface



Maximum Size LCD Monitors 25" wide and Weight of 10 lbs  
Any questions about The Kangaroo Elite  
Contact us at [info@ergodesktop.com](mailto:info@ergodesktop.com) or 866-232-7988

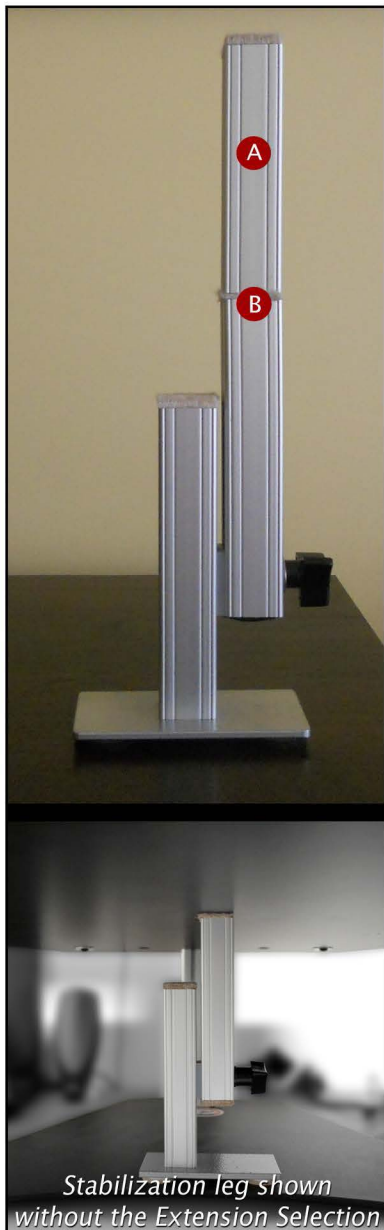


## ADJUST STOPPING BOLT

On the back side of your unit you will notice a small bolt located on the lifting tower. This bolt is used as our work surface stopper. It is currently set at 15", the highest our unit should go. This setting is for a 6'2" user on a 30" high desk. If you are shorter than this, raise the unit to your desired height and tighten the Main Brake. Adjust the stopping bolt by loosening the bolt **with one turn** and drop the bolt down to reach the lower support, and re-tighten the stopping bolt.

If you are a taller individual and need to raise the stopping bolt, please note that the work surface can get up to 16 1/2 inches but you will be raising the unit into the oil dampening zone of the spring. This makes it a little more difficult to lower the unit into the seated position when raised to this maximum point.

Our work surface should only be raised to your belt or navel line. This creates a 90-110 degree angle in your elbows which is suggested in the standing position. This will also allow you to lower the unit with ease by simply transferring your upper body weight into the back of the unit.



## THE STABILIZATION LEG

Your adjustable height desk top unit comes with an adjustable leg that can be used to give you maximum stability when you are using "The Kangaroo" in the standing position.

Raise the Kangaroo work surface to your desired standing height and tighten the work surface brake.

Place the adjustable leg under the work surface and loosen the adjustable leg brake. Only loosen the brake by a turn or two, too much and the brake will disengage from the slot.

Extend the adjustable leg until it engages the bottom of the work surface and then tighten the adjustable leg brake.

The leg is shipped with the **extension section** installed to give you additional height adjustment. If this is too tall for your application, simply **unscrew the extension selection**.

- A** Extension Selection
- B** screws into here

**ALWAYS REMOVE LEG BRACE BEFORE LOWERING THE WORK SURFACE.**